

6

5

4

3

2

1

**MATERIAL & FINISH:**

Housing: PBT, UL-94V-0 rated, color black  
Positive Contact: Beryllium Copper, Matte Tin plated  
Negative Contact: Brass, Matte Tin plated

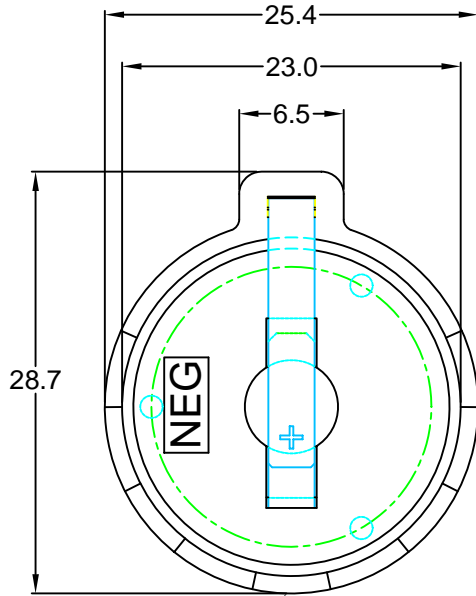
**ELECTRICAL PERFORMANCE:**

1. Rating: DC 3V, 120mA.
2. Insulation resistance: 100Mohm min. with 500VDC applied for one minute between the positive and negative terminals.
3. Voltage durability: No degradation with 500VDC applied for one minute between the positive and negative terminals.

**NOTES:**

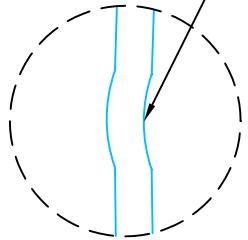
1. 2325 size battery fits loosely into Saft socket P/N HLD2425 with 2mm (.079") diametrical clearance.
2. 2325 size battery fits loosely into Keystone socket P/N 105 with 1.7mm (.067") diametrical clearance.

RoHS  
COMPLIANT

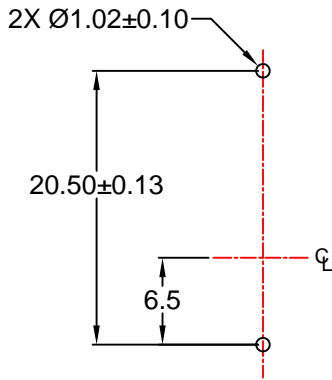


5 REMOVAL SLOTS  
4.8 WIDE x 1.5 DEEP

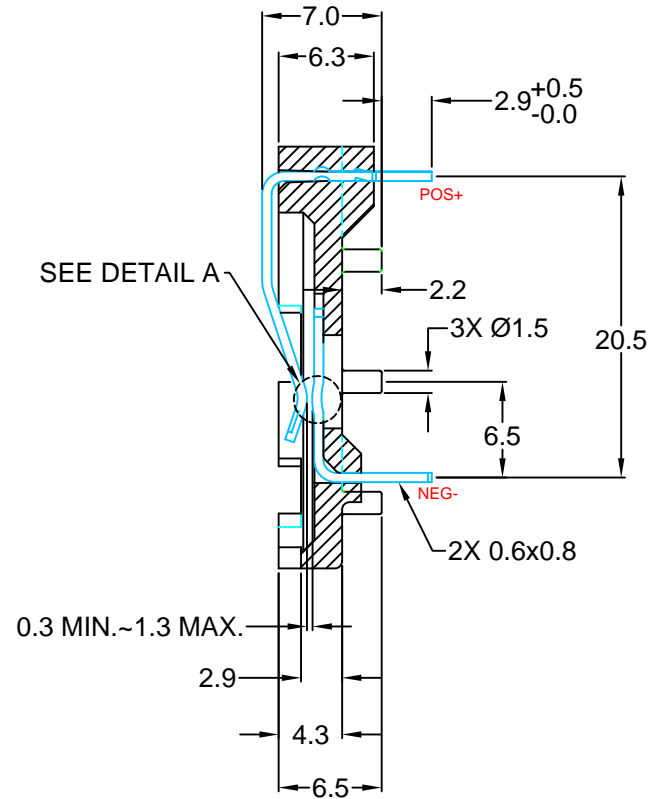
NEGATIVE CONTACT  
MUST HAVE BUMP



DETAIL A



RECOMMENDED  
PCB LAYOUT



SEE DETAIL A

0.3 MIN.~1.3 MAX.

TABLE 1: CROSS REFERENCE CHART

PDI PART NUMBER	NOMINAL BATTERY SIZE	MEMORY PROTECTION DEVICES(MPD)	SAFT	KEYSTONE	S.E.I.
PDI-2325-0	(2325) 23.0 x 2.5	BH 906	HLD2425 <sup>(1)</sup>	105 <sup>(2)</sup>	2S2325-0

TABLE 2: BATTERY HOLDER SELECTION GUIDE

PDI PART NUMBER	GE SANYO VARTA	UNION CARBIDE (EVEREADY)	PANASONIC RAYOVAC	SAFT	DURACELL
PDI-2325-0			BR 2325		

TOLERANCE  
UNLESS OTHERWISE SPECIFIED  
X ± 1  
X.X ± 0.4  
X.XX ± 0.25

**Power Dynamics, Inc.**  
Phone: 973 560-0019 Whippany, New Jersey Fax: 973 560-0076

PART: BATTERY HOLDER  
COIN CELL

DRAWN BY	GQ	DATE:	03/21/02
CHECK BY	TD	DATE:	03/22/02
APPR BY	PB	DATE:	03/22/02

PART #: <b>PDI-2325-0</b>		SHEET 1 of 1
SIZE: A	ALL DIMENSIONS FOR REFERENCE ONLY DIMENSIONS ARE IN MILLIMETERS	
SCALE: NTS	REV: <b>B</b>	

D

C

B

A